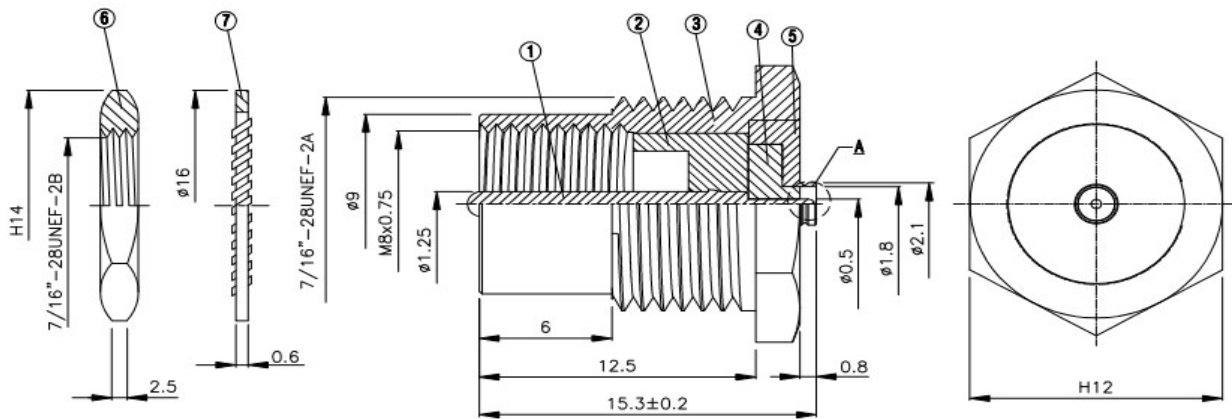


# NI-125

## FME Einbaubuchse Murata Anschluss



NO	DESCRIPTION	MATERIAL	Q' TY	FINISH
1	PIN	BRASS	1	GOLD
2	INSULATION 1	TEFLON	1	DELTRIN
3	BODY 1	BRASS	1	NICKEL
4	INSULATION 2	TEFLON	1	TEFLON
5	BODY 2	BRASS	1	GOLD
6	NUT	BRASS	1	NICKEL
7	WASHER	BRASS	1	NICKEL